



# PATIO COVER STANDARD

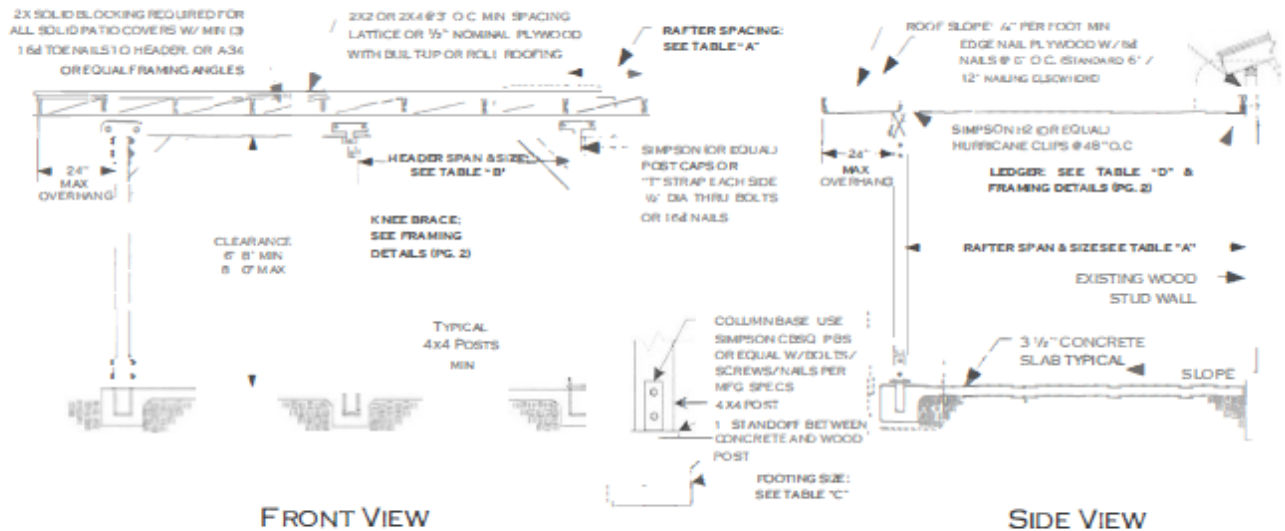


TABLE "A" RAFTER SPANS (DOUGLAS FIR #2 OR BETTER)			TABLE "B" HEADER SIZE & SPANS (DOUGLAS FIR #2 OR BETTER)		TABLE "C" FOOTING SIZE	TABLE "D" LEDGER BOLTING	
SIZE	SPACING	SPAN	RAFTER SPAN	HEADER SPAN	HEADER SIZE	BASED ON 1000 P.S.F. SOIL BEARING PRESSURE.	ALL LAG BOLTS SHALL HAVE 1/4" PRE-DRILLED HOLES - (SEE NOTE 2)
2 x 4	12" O.C.	9'-10"	UP TO 12'-0"	8'-0" MAX	4 x 6	18" SQ. X 12" DEEP	3/8" DIA. X 5" LONG AT 16" O.C. STAGGERED
	16" O.C.	8'-11"			4 x 8	18" SQ. X 12" DEEP	
	24" O.C.	7'-8"			4 x 10	18" SQ. X 12" DEEP	
	32" O.C.	*6'-3"			4 x 12	18" SQ. X 12" DEEP	
2 x 6	12" O.C.	15'-4"	12'-1" TO 20'-0"	8'-0" MAX	4 x 8	24" SQ. X 12" DEEP	(2) 3/8" DIA X 5" LONG AT 16" O.C.
	16" O.C.	13'-9"			4 x 10	24" SQ. X 12" DEEP	
	24" O.C.	11'-3"			4 x 12	24" SQ. X 12" DEEP	
	32" O.C.	*9'-7"			4 x 14	24" SQ. X 12" DEEP	
2 x 8	12" O.C.	20'-0"					
	16" O.C.	18'-2"					
	24" O.C.	14'-10"					
	32" O.C.	*12'-8"					
2 x 10	12" O.C.	20'-0"					
	16" O.C.	20'-0"					
	24" O.C.	18'-11"					
	32" O.C.	*16'-2"					
4 x 4	24" O.C.	10'-0"					
	32" O.C.	*9'-3"					
	48" O.C.	*7'-8"					
4 x 6	24" O.C.	15'-11"					
	32" O.C.	*13'-9"					
	48" O.C.	*11'-3"					
4 x 8	24" O.C.	20'-0"					
	32" O.C.	*18'-2"					
	48" O.C.	*14'-10"					

- NOTES:**
- TWO 2X MEMBERS MAY BE SUBSTITUTED FOR ONE 4X HORIZONTAL FRAMING MEMBER.
  - LAG BOLTS MUST FULLY ENGAGE A WOOD STUD OR RIM JOIST AND BE PROVIDED WITH APPROPRIATE WASHERS. LAG BOLTS SHALL BE LOCATED A MINIMUM OF 1-1/2" FROM THE TOP OR BOTTOM OF THE LEDGER.
  - NOT DESIGNED TO BE ENCLOSED - ADDITIONAL ENGINEERING ANALYSIS WILL BE REQUIRED IF ENCLOSED.
  - SEE PAGE 2 OF 2 FOR CONSTRUCTION DETAILS.

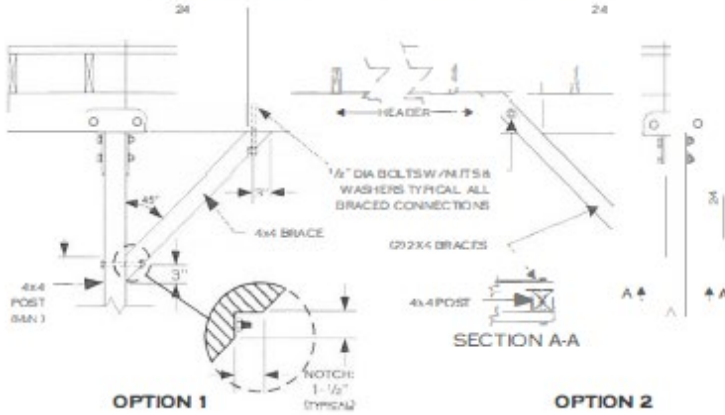
**DISCLAIMER:**  
ALTERNATE PATIO DESIGNS MAY BE POSSIBLE WHEN PROVIDED WITH AN ENGINEERED ANALYSIS. USE OF THIS CONVENTIONAL STANDARD DESIGN IS AT THE USER'S RISK AND CARRIES NO IMPLIED OR INFERRED GUARANTEE AGAINST FAILURE OR DEFECTS.

THIS SPACING AND SPAN IS FOR LATTICE PATIO COVERINGS ONLY.

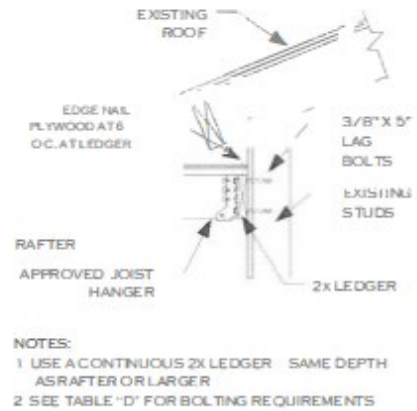


# PATIO COVER STANDARD

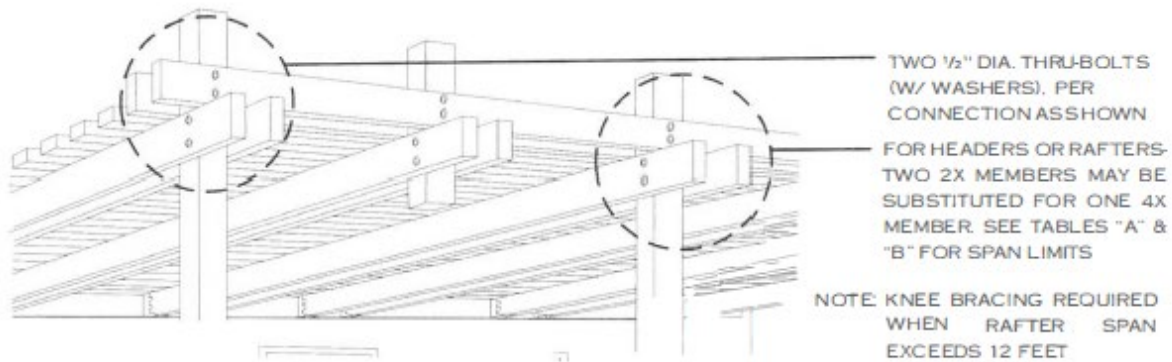
## KNEE BRACE DETAIL AT END POSTS (REQUIRED WHEN RAFTER SPAN EXCEEDS 12 FT.)



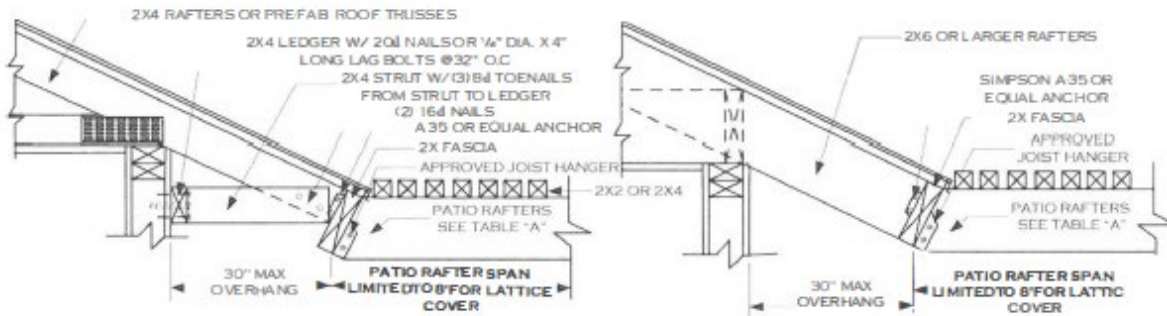
## LEDGER ATTACHMENT DETAIL



## INVERTED HEADER DESIGN OPTION (LATTICE ONLY)



## 2X FASCIA (OVERHANG) ATTACHMENT – LATTICE ONLY



**NOTE:** VERIFY STRUCTURAL SOUNDNESS OF ROOF RAFTERS FOR DECAY OR TERMITE DAMAGE, AND REPLACE WITH LIKE MATERIALS AS NEEDED, AFTER CONSULTATION WITH THE BUILDING DEPARTMENT.